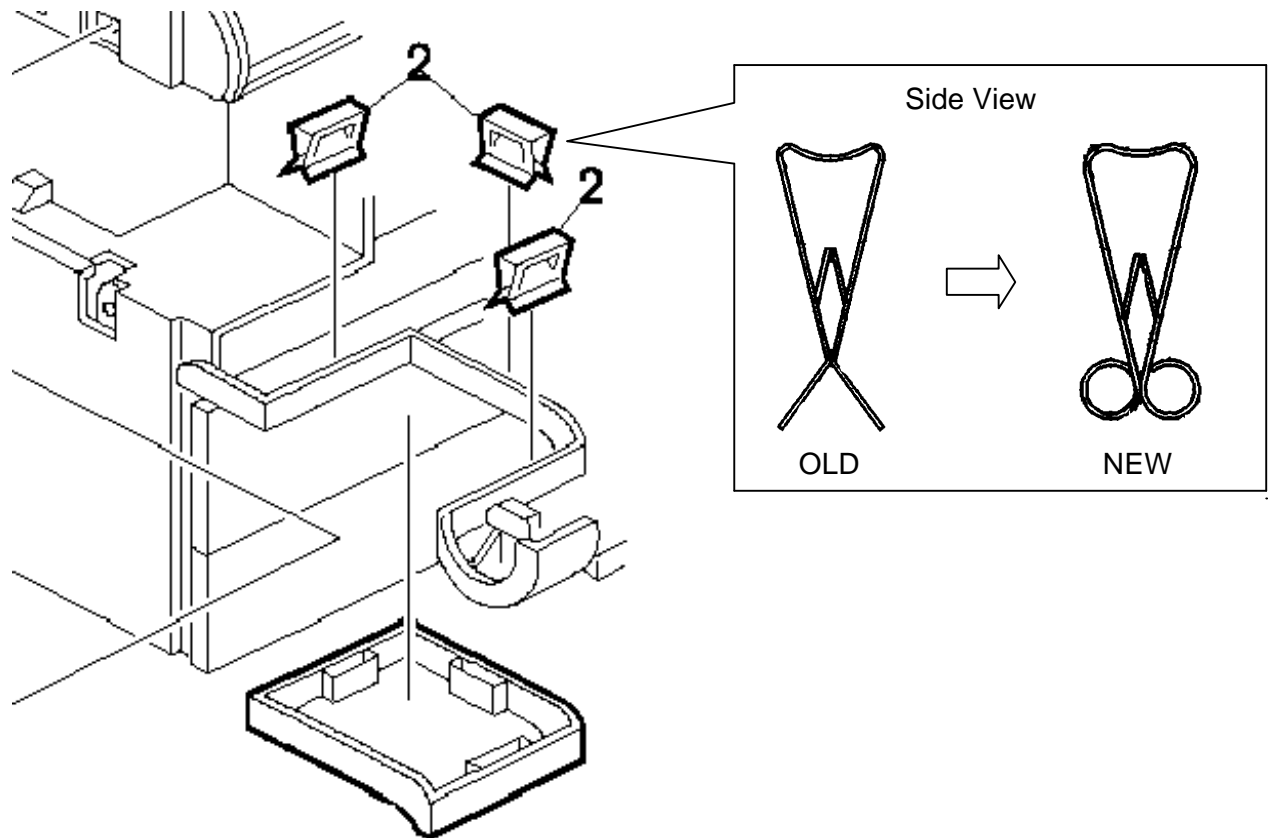


| | | | |
|--|---|---|-------|
| Model: Sorter Adapter (Phoenix Series) | | Date: 31-Aug-97 | No: 1 |
| Modified Article: Cover Holder | | Prepared by: S.Hizen | |
| From: QAC 1st Field Information Dept. | | | |
| Reason for Modification: | <input type="checkbox"/> Parts catalog correction <input type="checkbox"/> Vendor change <input type="checkbox"/> To meet standards <input checked="" type="checkbox"/> To facilitate assembly <input type="checkbox"/> To improve reliability <input type="checkbox"/> Part standardization <input type="checkbox"/> Other | <input type="checkbox"/> To meet standards (No serial number cut-in information) | |

| Old part number | New part number | Description | Qty | Int | Page | Index | Note |
|-----------------|-----------------|--------------|-------|-----|------|-------|------|
| A5681088 | A5681089 | Cover Holder | 3 - 3 | O/O | 3 | 2 | |

The shape of the cover holder has been changed as shown below:



| | | | |
|--|--|---|--|
| Model: Phoenix-Sorter Adaptor | | Date: 3-Dec-03 | No.: MA568002 |
| Modified Article: Exit Stay | | Prepared by: Y.Urushihara | |
| From: 1st Tech. Support Sec. Service Support Dept. | | | |
| Reason for Modification: | <input checked="" type="checkbox"/> Parts catalog correction | <input type="checkbox"/> Vendor change | <input type="checkbox"/> To meet standards () |
| | <input type="checkbox"/> To facilitate assembly | <input type="checkbox"/> To improve reliability | |
| | <input type="checkbox"/> Part standardization | <input type="checkbox"/> Other | |

Please note the following revision made to the Parts Catalog, which was applied from the beginning of mass production.

| Old part number | New part number | Description | Q'ty | Int | Page | Index | Note |
|-----------------|-----------------|-------------|------|-----|------|-------|------|
| | A5681071 | Exit Stay | 0-1 | | 3 | 13 | |

